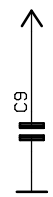
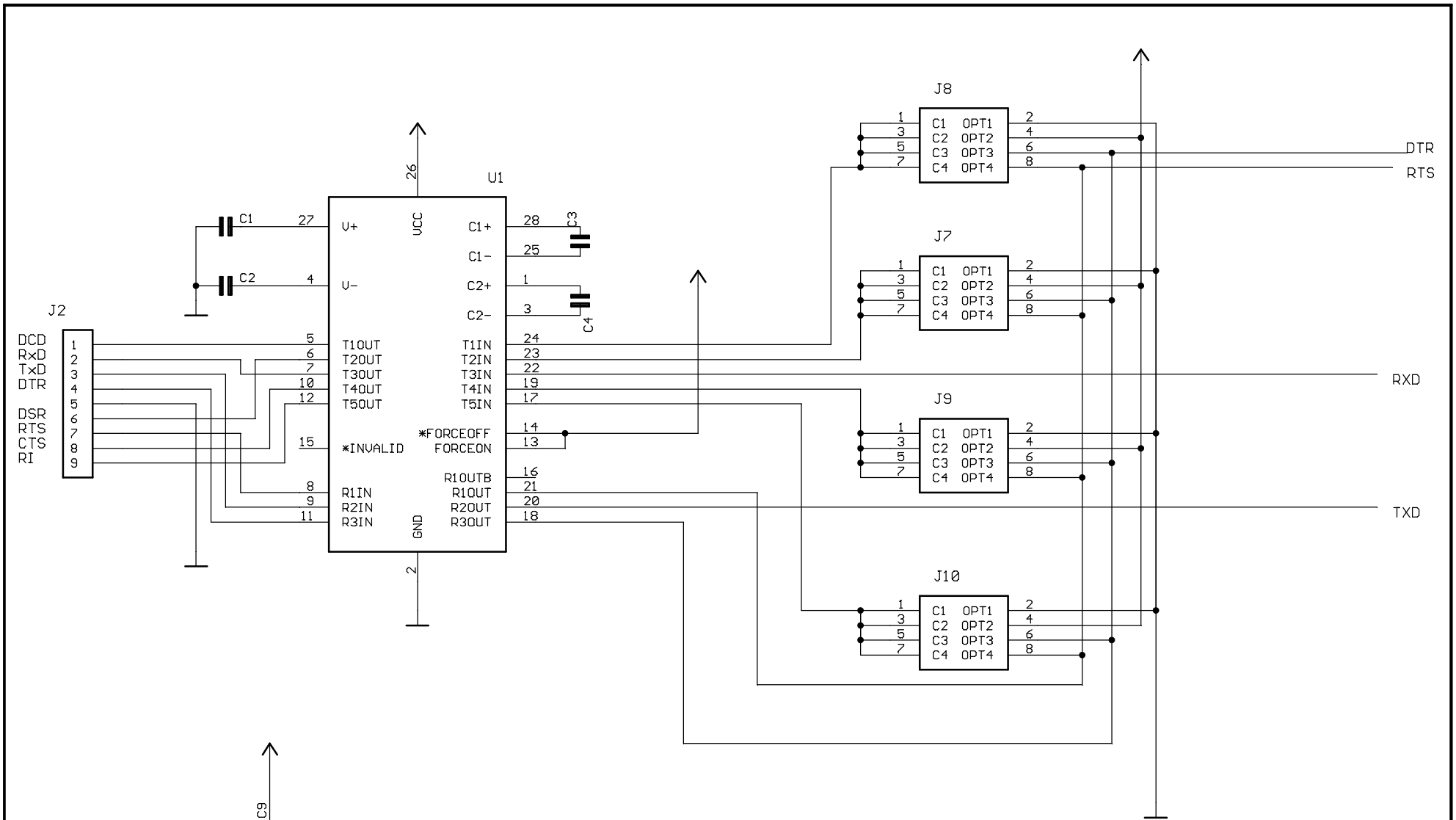



# Serial ISP Schematic

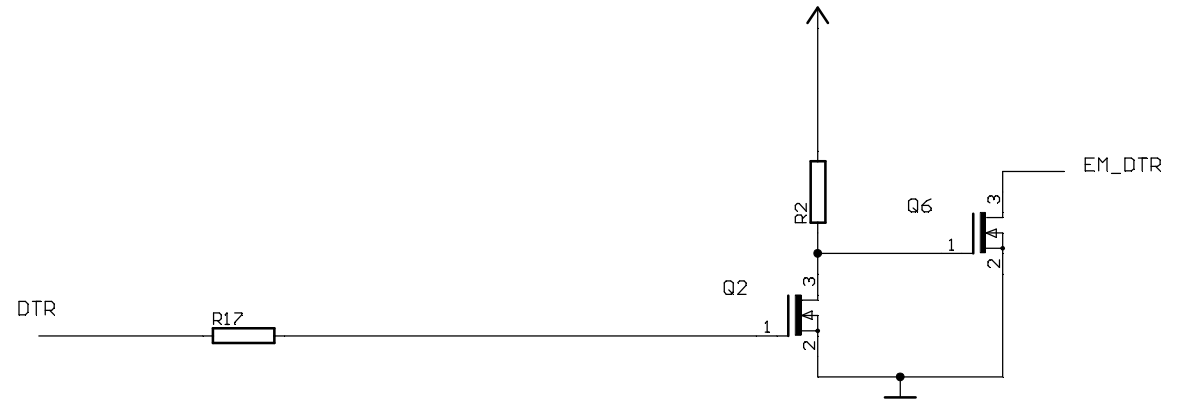
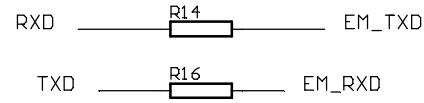
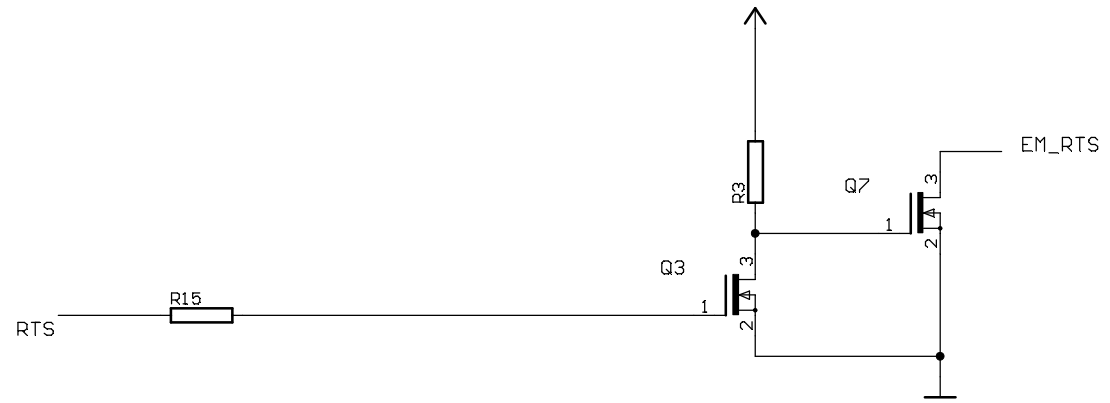
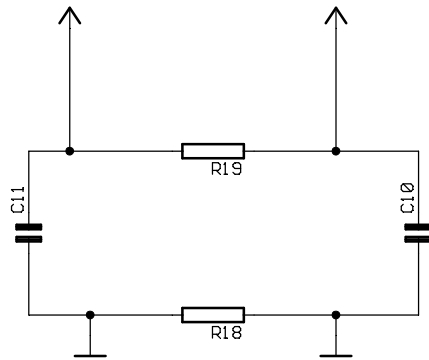
## Index


Level Translation and Handshake Feedback .....	2
Transition and Pull Downs .....	3
Switches and Output .....	4

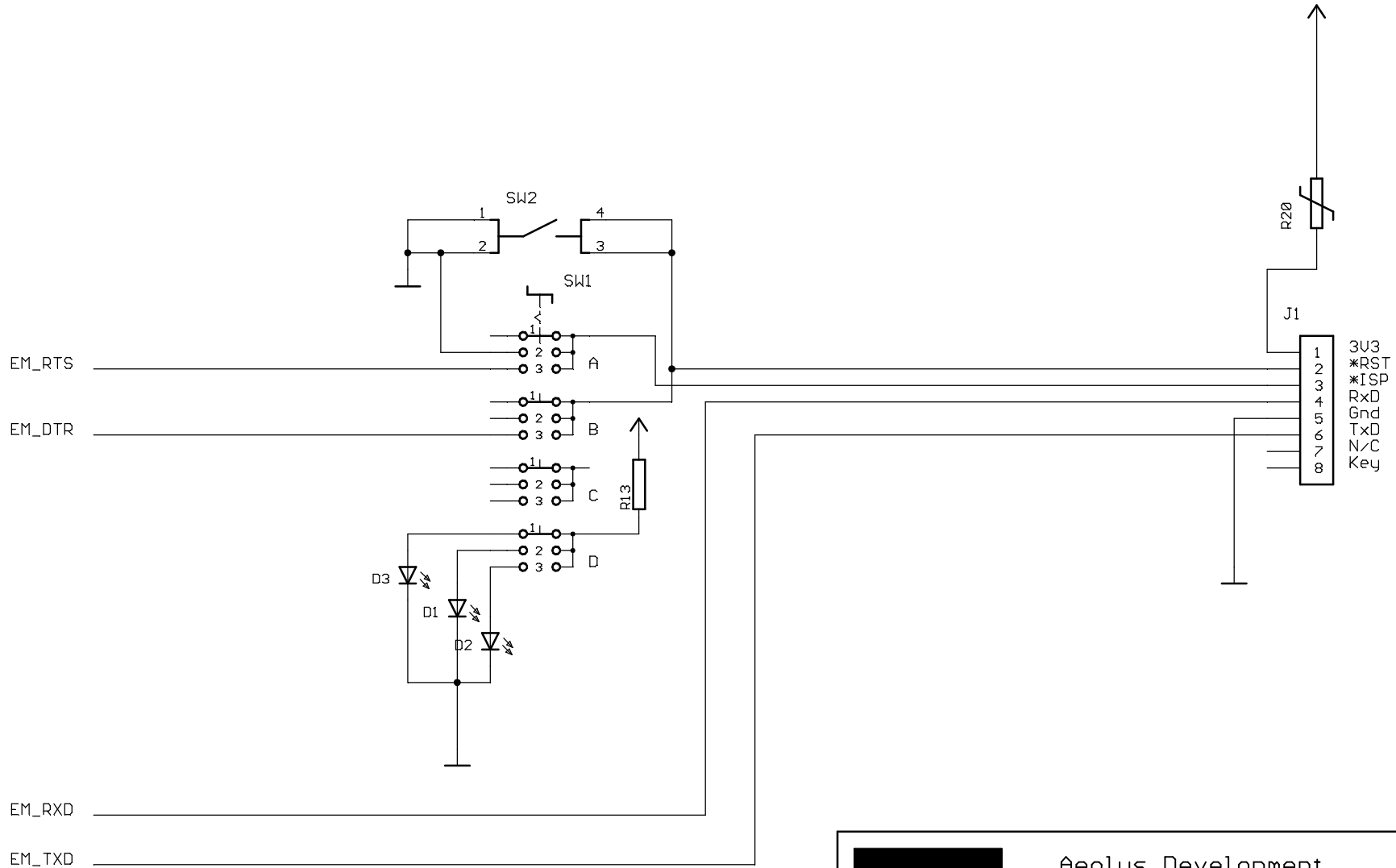
██████████ Aeolus Development	
TITLE: In System Programming Serial Adapter	
FILE: PCB_ISP_KIT	
Document Number:	REV: A
Date: 5/11/2004 10:45:04a	Sheet: 1/4




 Aeolus Development	
TITLE: Level Translation and Handshake Feedback	
FILE: PCB_ISP_KIT	
Document Number:	REV: A
Date: 5/11/2004 10:45:04a	Sheet: 2/4



 Aeolus Development	
TITLE: Transition and Pull Downs	
FILE: PCB_ISP_KIT	
Document Number:	REV: A
Date: 5/11/2004 10:45:04a	Sheet: 3/4



 Aeolus Development	
TITLE: Switches and Output	
FILE: PCB_ISP_KIT	
Document Number:	REV: A
Date: 5/11/2004 10:45:04a	Sheet: 4/4

# Bare Board Kit Bill of Material (suggested parts and sources)

Line	Qty	Description	Reference	Source	Part Number
10	1	PCB, ISP/RS232	PCB	Aeolus Development	AE0KT100
20	1	Capacitor, 0.22uF, 10V, 0805	C3	Mouser	80-C0805C224K4R
30	1	Wire, Ribbon Cable w Connector 8pins at 0.1", 12", pin 8 polarized		Aeolus Development Samtec	AE0KT101 IDSD-04-D-06.00-P08
40	3	Capacitor, 1.0uF, 10V, 0805	C1,C2,C4	Mouser	81-GRM40X105K10L
50	1	Capacitor, 0.1uF, 16V, 0805	C9	Mouser	81-GRM40X104K16D
60	1	IC, RS2232 Level Translator	U1	Mouser	595-MAX3238IDBR
70	5	Connector, 0.1", Header 8 pins	J1,J7,J8,J9,J10	Samtec	TSW-104-07-F-D
80	2	Capacitor, 2.2uF, 6.3V, 0805	C10,C11	Mouser	81-GRM40R225K6.3L
90	2	Resistor, 4K7, 1/10W SMT	R2,R3	Mouser	71-CRCW0805J-4.7K
100	4	FET, N, 100V, 10R	Q2,Q3,Q6,Q7	Mouser	512-BSS123
110	1	Sensor, Switch Momentary Pushbutton	SW2	Mouser	612-520.02-RED
120	1	Sensor, Switch Rotary 4 pole, 3 Pos/n	SW1	Mouser	10YQ043
130	1	HW, Control Knob		Mouser	450-1017
140	3	Diode, Indicator	D1,D2,D3	Mouser	606-4303F1
150	1	Resistor, 330R, 1/10W SMT	R13	Mouser	71-CRCW0805J-330
160	1	Connector, Dsub 9 Pin	J2	Mouser	152-3409
170	1	Fuse, Polyswitch 500mA	R20	Mouser	650-MICROSMD050
200	6	Resistor, 0R, 1/10W SMT	R14-R19	Mouser	71-CRCW08050000ZSTB
210	4	Connector, 0.1", Shunt		Samtec	SNT-100-BK-G

Aeolus Development

<http://www.aeolusdevelopment.com/>